

PSP (Sub 1)

ESP 1

PSP

Control Center

Non-PRP Network (RSTP)

NERC: High Impact

Station Bus

Bay 1 (Edition 1)

Bay 2 (Edition 2)

Bay 3 (Edition 2)

Process Bus

ESP 2

Bay 4 (Edition 2)

Process Bus

PSP (Sub 2)

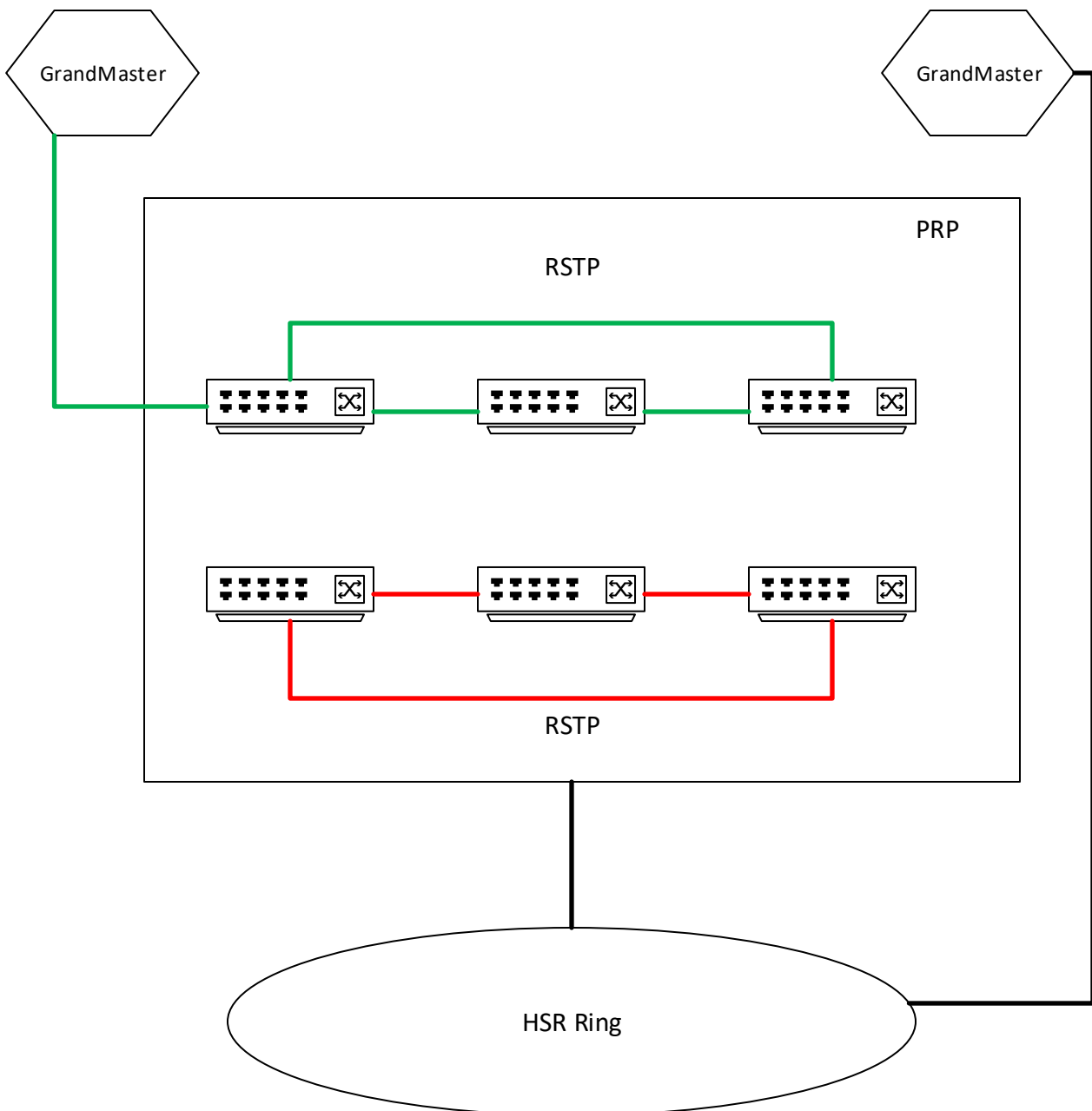
NERC: Medium Impact

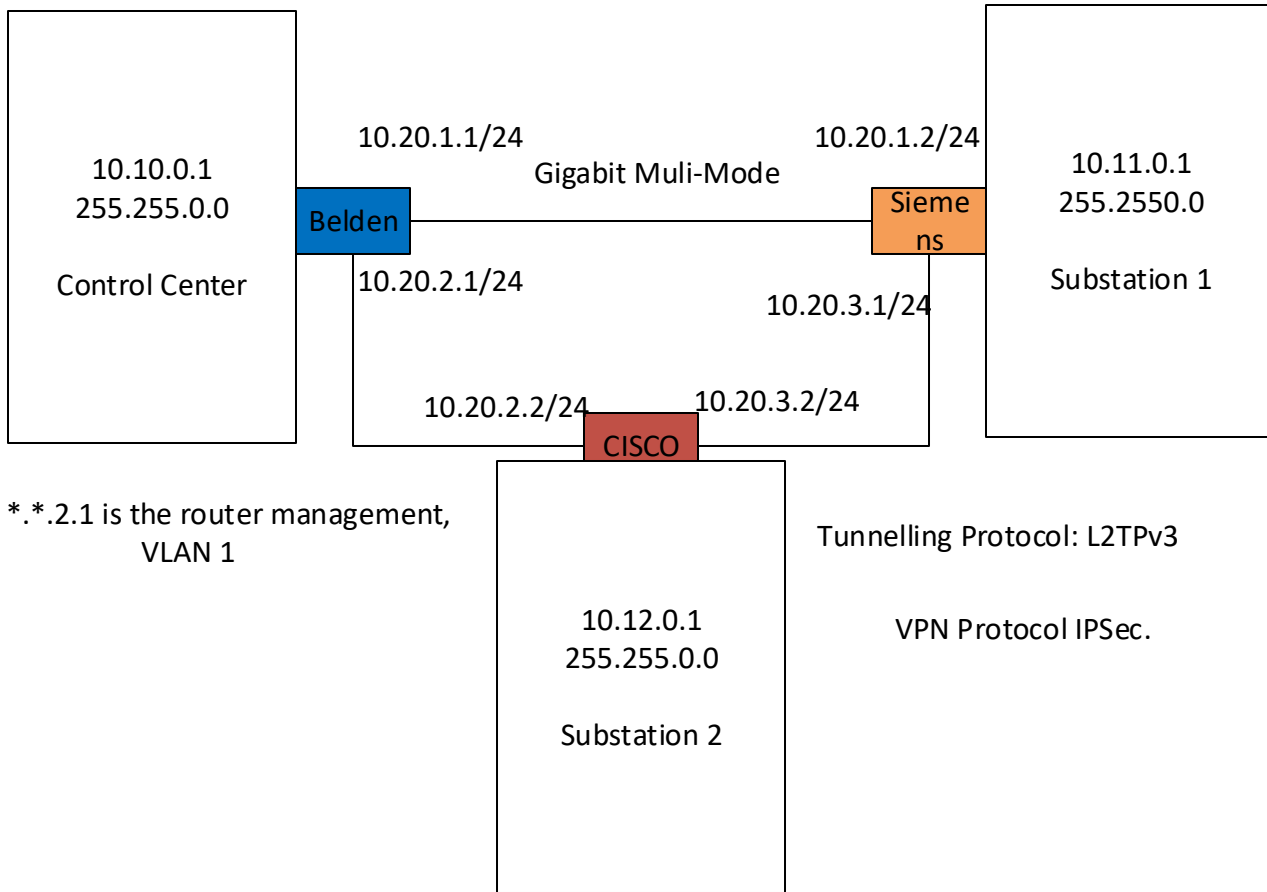
EAP

Routed Network

Green will be used for any devices that don't support PRP or HSR. It will also be the bus for PTP time sync.

Green and Red will be different vendors





Note: *.*.2.1 is the router management,
VLAN 1

Note: *.*.3.x is for Belden, 4.x is for CISCO, 5.x is for Moxa, 6.x for Siemens/RuggedCom, 8.x for SEL, 9.x for GE Switches, 10.x for Palo Alto,

For Networks that have a firewall AND router, the 10.100 Control Center (firewall->router) , 10.110 (Substation 1), 10.120 substation 2.

..21.x is for IEDs to be assigned.

